



**RC60
X-Ray Beam Measurements**

The RC60 is an unsealed thin cross-section, parallel plate 60 cm³ ion chamber suitable for x-ray beam measurements with low to intermediate dose rates. It has excellent energy response throughout the diagnostic energy range and with the application of appropriate build-up materials, the energy range can be extended to ⁶⁰Co.

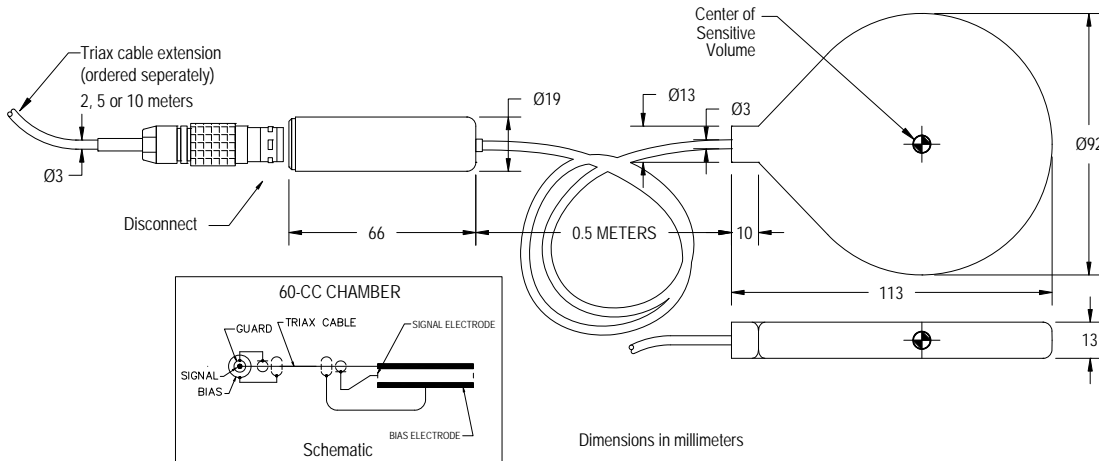
- EXPOSURE RATE DEPENDENCE: <5% to 30 mGy/s
- ENERGY DEPENDENCE: ±5%, 30 keV to 1.33 MeV (with build-up material)
- BIAS: Nominal +300 VDC (max +600 VDC)
- ELECTRICAL LEAKAGE:* <5e-15 A with +300 VDC bias, using 2m triax cable extension
- CONSTRUCTION: Guarded (3-terminal) parallel plate, with polycarbonate walls; conductive graphite interior and exterior coating; nominal 60 cm³ active volume, 0.5 m low-noise triax cable; 0.13 kg

*cable length dependent

The chamber assembly shown in the image above depicts the chamber with the Radcal Model 8230M chamber support, optional, ordered separately.

Nominal Chamber Volume and Sensitivity (±10%)

Chamber Model	Volume cm ³	C/mGy 20 °C	C/mGy 22 °C	C/R 20 °C	C/R 22 °C
RC60	60	2.1E-09	2.1E-09	1.9E-08	1.9E-08



**RC60 Ion Chamber
Energy Dependence
(TYPICAL)**

