

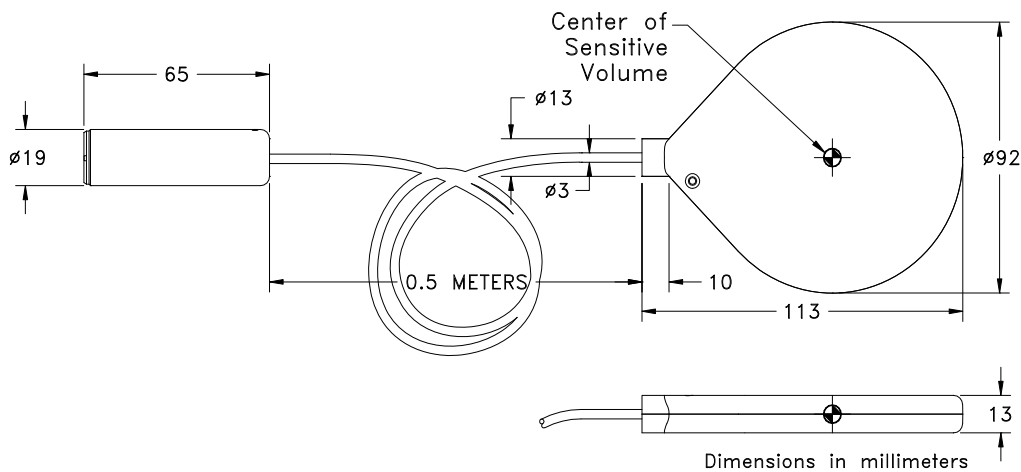


10X6-60
The 'Service' Chamber

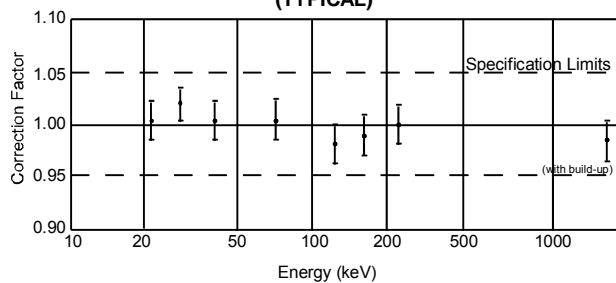
This thin profile makes it ideal for low input dose at an image receptor and many other uses.

Specifications¹

Rate Specifications	200 nR/s - 2 R/s 2 nGy/s - 19 mGy/s
Exposure Specifications	1 μ R - 5.9 kR 10 nGy - 52 Gy
Cine Specifications:	0.01 μ R/f - 100 mR/f 0.1 nGy/fr - 1.0 mGy/f
Auto Dose Threshold	216 μ R/s 2 μ Gy/s
Calibration Accuracy:	\pm 4% using X-rays @ 150 kVp & 10.2 mm Al HVL
Exposure Rate Dependence:	\pm 5%, 2 mR/min to 199 R/min
Energy Dependence	\pm 5%, 20 keV to 1.33 MeV (with build-up material)
Construction:	Parallel plate. Polycarbonate wall. Conductive graphite exterior coating; 60 cm ³ active volume, 0.5m low noise triax cable; 0.13 kg



-60 Ion Chamber
Energy Dependence
(TYPICAL)



¹Specifications apply when used with Accu-series control unit.