

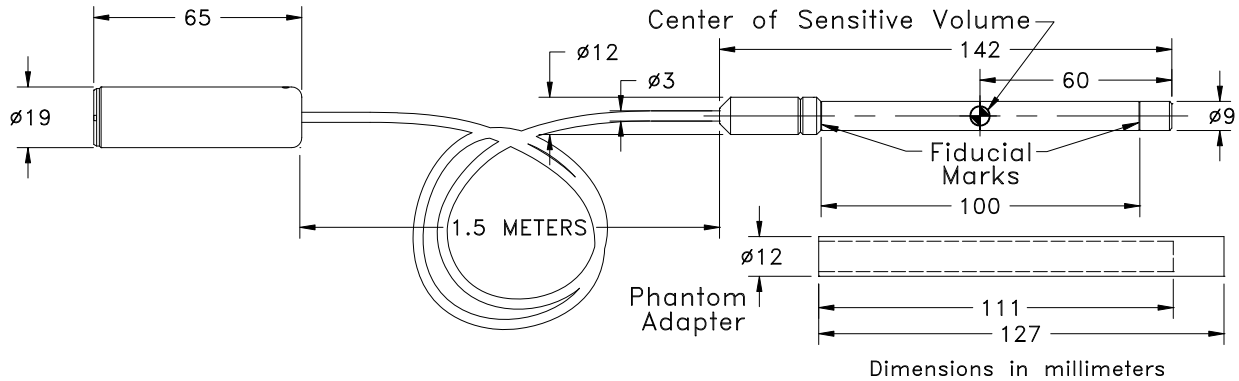


10X6-3CT
The Chamber for Computed Tomography Dose Index (CTDI)

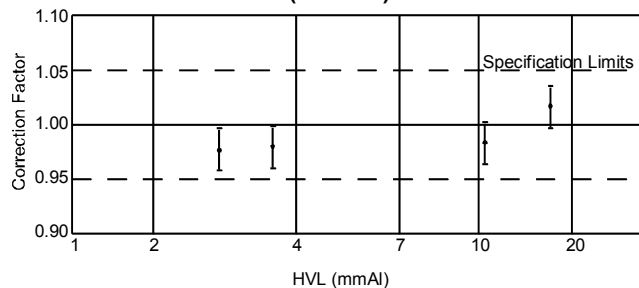
Another industry standard.

Specifications¹

Rate Specifications	2 μ R/s - 40 R/s 20 nGy/s - 350 mGy/s
Exposure Specifications	20 μ R - 118 kR 200 nGy - 1.0 kGy
Auto Dose Threshold	4 mR/s 38 μ Gy/s
Cine Specifications:	N/A
Calibration Accuracy:	\pm 4% using X-rays @ 150 kVp & 10.2 mm Al HVL
Exposure Rate Dependence:	\pm 2%, 2 mR/s - 40 R/s
Energy Dependence	\pm 5%, 3 - 20mm AL HVL
Construction:	Concentric cylinder. 10 cm active length. 5% uniformity of response over central 95 mm of active length for a constant volume slice. C552 air-equivalent walls and electrode; polyacetal exterior cap; 3 cm ³ active volume, 1.5 m low noise triax cable; 0.11 kg



3CT Ion Chamber
Chamber Energy Dependence
(TYPICAL)



¹Specifications apply when used with Accu-series control unit.