

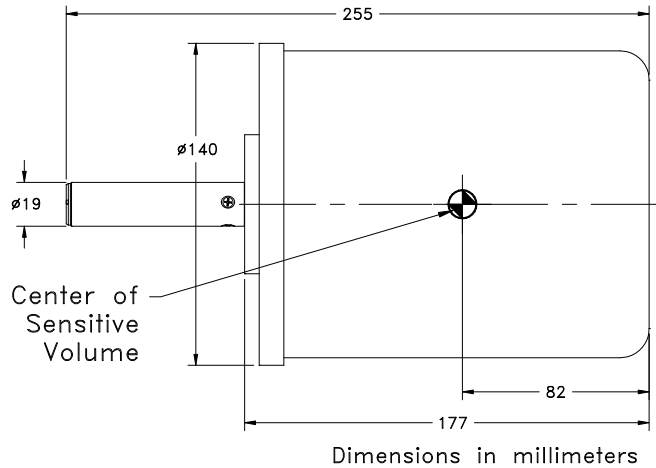


10X6-1800
The Radiation Protection Chamber

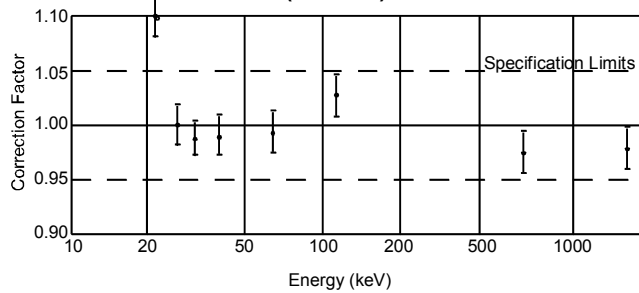
For very low-level radiation measurements such as shielding, leakage, irradiators and environmental. Superior to typical survey meters for accuracy.

Specifications¹

Rate Specifications	0.1 mR/hr - 18 mR/s 0.1 µGy/hr - 200 µGy/s
Exposure Specifications	1 nR - 196 R 0.01 nGy - 1.7 Gy
Auto Dose Threshold	7 µR/s 63 pGy/s
Cine Specifications:	N/A
Calibration Accuracy:	±4% using X-rays @ 150 kVp & 10.2 mm Al HVL
Exposure Rate Dependence:	±0%,-5%, 0.1 mR/hr to 20 R/hr, -10% to 65 R/hr
Energy Dependence	±5%, 30 keV to 1.33 MeV (with build up material)
Construction:	Concentric cylinders. polycarbonate walls and electrode; conductive graphite exterior coating; 1800 cm ³ active volume; 0.54 kg



-1800 Ion Chamber
Energy Dependence
(TYPICAL)



¹Specifications apply when used with Accu-Gold series digitizer.