

DYNALYZER

Dynalyzer IV High Voltage Unit



OPERATION MANUAL



Radcal
426 West Duarte Road
Monrovia, CA 91016-4591 USA
USA (626) 357-7921
Fax USA (626) 357-8863
email sales@radcal.com
www.radcal.com

Radcal Part # MNL/ST-4672
4078320 Rev D1
Printed: Aug 2020

Contents

Preface **3**
 Safety Notice 3

Introduction **4**
 General 4
 Basic Principle of Operation 4
 Anode Current Sensor 4
 High-Voltage Divider 4
 Filament Current 5
 Equipment Supplied 5
 Specifications 5

Installation **9**
 Inspection 9
 Parts Necessary for Use 9
 Electrical Connections 9
 Precautions 9
 High Voltage Cable Connections 10

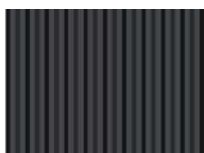
Operation **15**
 Readout Oscilloscope 15
 Measurement procedure for kVp and Exposure Time Using Oscilloscope 15
 Measurement Procedures for mA and mAs using Oscilloscope 16
 Three-Phase Current Measurements (using Oscilloscope) 16
 Fluoroscopic Current Measurements (using Oscilloscope) 17
 Measurements with Accu-Dyn+ system (see appendix A) 17
 Measurements with Digital Display 17
 Current Measurements with Dynalyzer III Digital Display (mA and mAs) 18
 Exposure Duration (Time) 18
 Dynalyzer Digital Display of kVp Measurements 18
 Filament Current Measurement with the Dynalyzer Digital Display 18
 Measurements with Suitable RMS Voltmeter 18
 Removing High Voltage Unit from X-ray Installation 19
 Interpreting Oscilloscope Measurement Waveforms 19
 Single-Phase Current Waveform 19
 Three-Phase Current Waveforms 20
 kVp Calibration for X-Ray Generator 21
 Equipment Fault Diagnosis by Voltage Waveform Analysis 21
 Evaluating Fluoroscopic Current Measurements 22
 Single-Phase Radiographic Current Measurements using Oscilloscope 23
 Filament Current Measurements using Oscilloscope 25
 Fuse Replacement 27

Maintenance **27**
 System Pressure 28
 Failure Modes 28

Appendix A **29**
 Accu-Dyn+ Display System 29
 Overview: 29
 Installation: 29
 Running the Program 30
 Data 31
 Hotkeys 31
 Common Error Messages: 31

Appendix B - Warranties and Disclosures **33**

Warranty for the Model M-97311 Dynalyzer High-Voltage Unit	33
Non-Warranty Repairs	33
WEEE and RoHS.....	33




Preface

 **IMPORTANT:** ALWAYS PLUG DYNALYZER, SCOPE, AND DISPLAY INTO SAME OUTLET.

Safety Notice

This unit is designed to operate at hazardous voltages found in x-ray generators. The operator is cautioned to observe all safety practices normally associated with x-ray equipment. Among these precautions are:

1. Never make or break connections in the high voltage circuit when the generator is energized. In spite of all interlocks present, it is still possible for an accidental firing to occur.
2. Never assume that a cable voltage is discharged. There is sufficient capacitance in the x-ray cable to maintain a lethal charge. Touch the pins of any cable to ground to be sure that there is no residual charge.
3. Inspect cables often. Do not use any cables with a broken braid at the connectors or in the cable.
4. Always tighten the locking ring of the cable connector to ensure a good ground connection. Do not overtighten the ring.
5. Use oil or vaporizing compound on all high-voltage connectors to prevent flashover.
6. Keep away from x-ray beam. This system is designed for remote reading so the equipment should not be placed near the x-ray beam path.
7. Do not knowingly operate this unit in excess of 150 kVp, or in equipment with unstable x-ray tubes. Severe damage to the equipment may result from an overvoltage condition.
8. Be sure of your grounds. When in doubt, ground tank to transformer.
9. Always monitor tank pressure. Do not use the system if the pressure reads less than 22 psig. Read the maintenance section for refilling or return to the factory.

 **CAUTION:** **IMPORTANT HANDLING NOTICE:** This unit is a precision high-voltage measurement instrument and must be handled with as much care as one would handle an oscilloscope. While it is portable and is designed to sustain normal handling and transportation shock and vibration, it must not be subjected to excessive shock or vibration. The precision electronic assemblies contained inside the tank are subject to damage from abnormal shock transmitted from the heavy flanges on the tank. Improper handling can cause tank failure and loss of warranty protection.

Introduction

General

The Dynalyzer IV High Voltage Unit is capable of providing isolated signals analogous to:

1. Anode, Cathode, and Anode + Cathode tube voltages
2. Anode Current
3. Filament Current (AC)

These signals may be viewed on an oscilloscope, may be measured with Accu-Dyn+ system or peak-reading voltmeter, or may be processed and displayed with the Dynalyzer Digital Display(discontinued).

This unit has been designed as a calibration instrument and as a diagnostic tool for servicing x-ray equipment.

This unit is designed for continuous duty, and may be left in the high-voltage circuit indefinitely. This feature is desirable in special applications where frequent calibration is required.

This unit is portable. It weighs 14 kg (32 pounds) and is designed to simplify servicing and repair.

Basic Principle of Operation

The Dynalyzer High Voltage Unit is built in two sections. All high-voltage components are located in a tank pressurized with 30 psig of Sulfur Hexafluoride (SF₆) gas. In the base of the unit are power supplies and buffer amplifiers to adjust the levels of the isolated signals, provide buffering against cable and instrument loading effects, and provide frequency compensation. In addition, there is an oscillator, which in conjunction with a high-frequency isolation transformer located in the tank, provides power to operate the anode-current sensing system.

Anode Current Sensor

The anode current sensor is an optically-coupled device that is capable of providing an isolated signal that represents the anode current waveform. Both analog and digital outputs are available. The sensor is capable of measuring current in the range of 0.5 mA to 1 Amperes with a 0.2% absolute accuracy. The output conversion factor for the analog output is 1 mV/mA for radiographic and 20 mV/mA for fluoroscopic measurements. The insertion impedance of the unit is 42 ohms \pm 5%. The average power rating of this resistor network is 21 watts, and is the only duty cycle limitation on this unit. The duration should not exceed 1 second at 1000 mA.

High-Voltage Divider

The divider consists of two 1000-megohm sections that are connected between the anode and ground, and the cathode and ground. Each section contains five 200-megohm resistors connected in series. The geometry of the structure provides distributed capacitance that provides a frequency response of 100 kHz.

Filament Current

Filament current is measured in the common lead of the cathode circuit using an insulated AC/DC open loop hall effect current transducer. The output of the transducer is amplified to a signal level of 0.1 Volt(pp)/Ampere(pp), with a -3-dB bandwidth of 20 kHz.

Equipment Supplied

As supplied, the High Voltage Unit is shipped with the following components:

- High Voltage Unit Assembly
- 12 ft. Coaxial Cable, BNC Connectors each end (2 each)
- Vaporproofing Compound (2 [two] 1.5 oz. tubes)
- Line cord (6 ft.)
- Dummy plugs (2)

Additional equipment required for use includes:

- Dual-trace oscilloscope to display mA and kV waveforms
Optionally, a peak holding digital voltmeter (DVM), Dynalyzer III Digital Display or Accu-Dyn+ system
- Two (2) 3-conductor, 5-foot long high-voltage x-ray cables, Federal Standard Connector

Specifications

Calibration Standard	Factory calibrated, all output parameters traceable to National Bureau of Standards
Electrical Rating (maximum peak voltages)	Anode to cathode: 150 kVp Anode to ground: 85 kVp Cathode to ground: 85 kVp
Current from x-ray to Generator (max)	Anode (peak): 1 A for 1 s Anode (continuous): 700 mA Filament: 10 amps (ac rms)
D.C. Voltage Division Ration	10,000: 1 ±1% (10kV to 75 kV plus & minus polarity)
Voltage Divider Load	1000 megohms to ground 2000 megohms anode-cathode
Duty Cycle	Continuous
Frequency Response	Voltage: 0-1 kHz ± 2.9% 1 kHz – 100 kHz ±12.2% Anode current: 4 kHz @ -3-dB Filament current: 20 Hz to 20 kHz, ±1db
Filament Current Sensor	Output level: 0.1 volt per ampere (p-p) Ratio: 0.1 volt/ampere (±5% + zero offset) Noise level: 0.1 ampere, rms

Anode Current Sensor	Current rating: 1 A Insertion impedance: 42 ohms \pm 5% Power rating: 21 watts Ratio: 1 millivolt/milliamper, (Rad Range) 20 millivolts/milliamper (Fluoro Range) Accuracy: 1 mA to 1 A, \pm 0.2% or \pm 100 μ A whichever is larger Noise level: 0.1 mV (p-p) (Max)
Gas Volume	0.5 cubic foot
Pressure Gauge	0-30 psig scale
Insulation	Sulfur Hexafluoride gas (SF ₆) @ 25-30 psig
Gas Relief Valve	32 psig
Gas Filling Valve	Schrader type, spring loaded
Test Level Connectors	Scope inputs: 5-BNC type, insulated Accu-Dyn+ computer interface: USB-2.0 mini-B Digital display: 1-Bendix PT02A-16-8P
High Voltage Receptacles 3-conductor cables	Receptacles conform to NEMA XR-7-1979
Coaxial Cable	Two 12-foot long cables RG-58/U with BNC connectors
Temperature	Operating: +15° to +30°C Storage: - 10° to + 50°C
Dimensions	See Outline Data
Weight	32 lbs (14 kg)
Power Requirements	85-264 V, rms 47-440 Hz
Fuse	500mA SLO-BLO

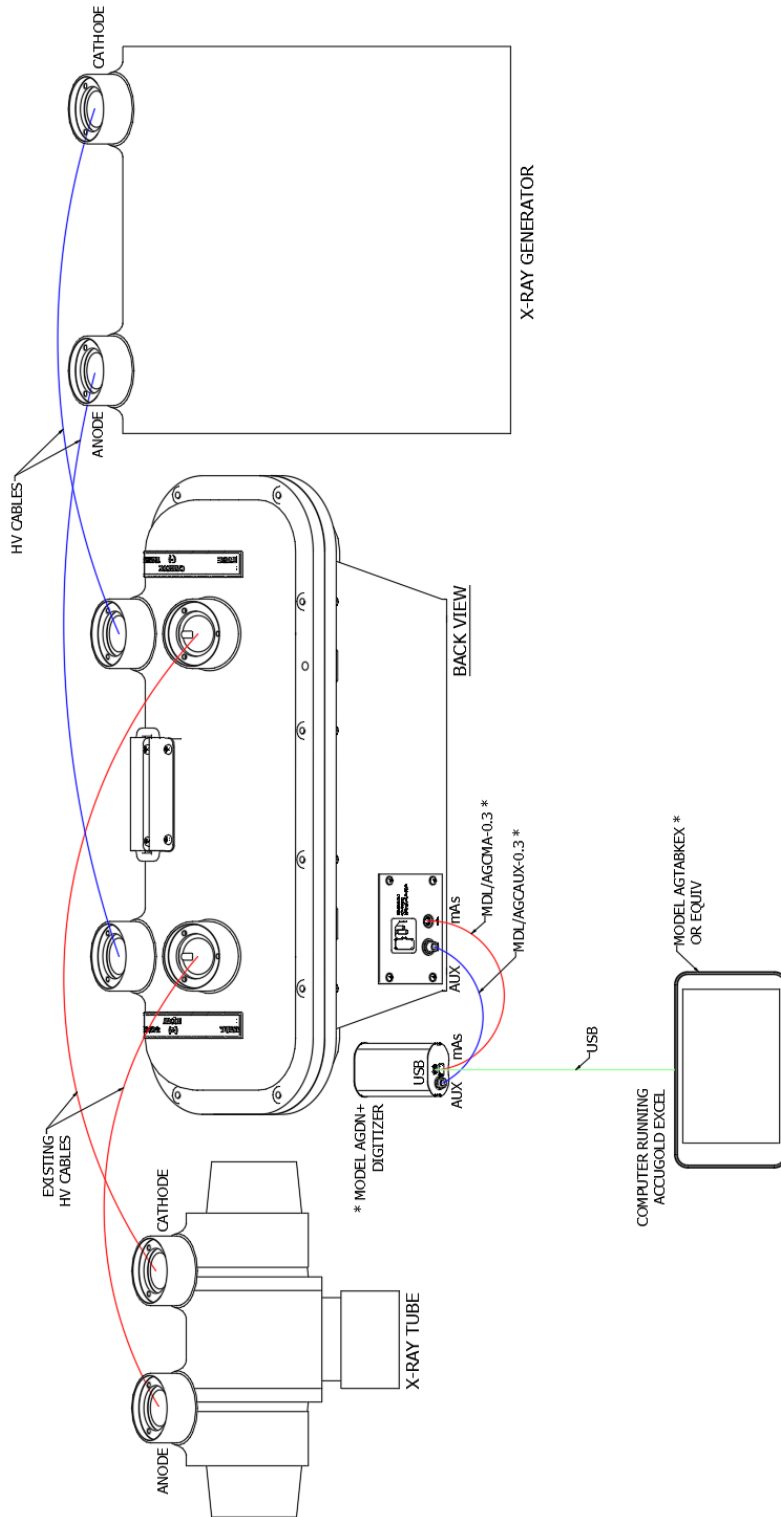
With Accu-Dyn+ Display System

kV Accuracy	\pm 1%	10-150 kV, DC to 4.5 kHz
Anode Current	\pm 0.2%	0.1 mA-1 A, DC to 2.3 kHz
Exposure Time	\pm 0.5 ms	

*Anode+Cathode

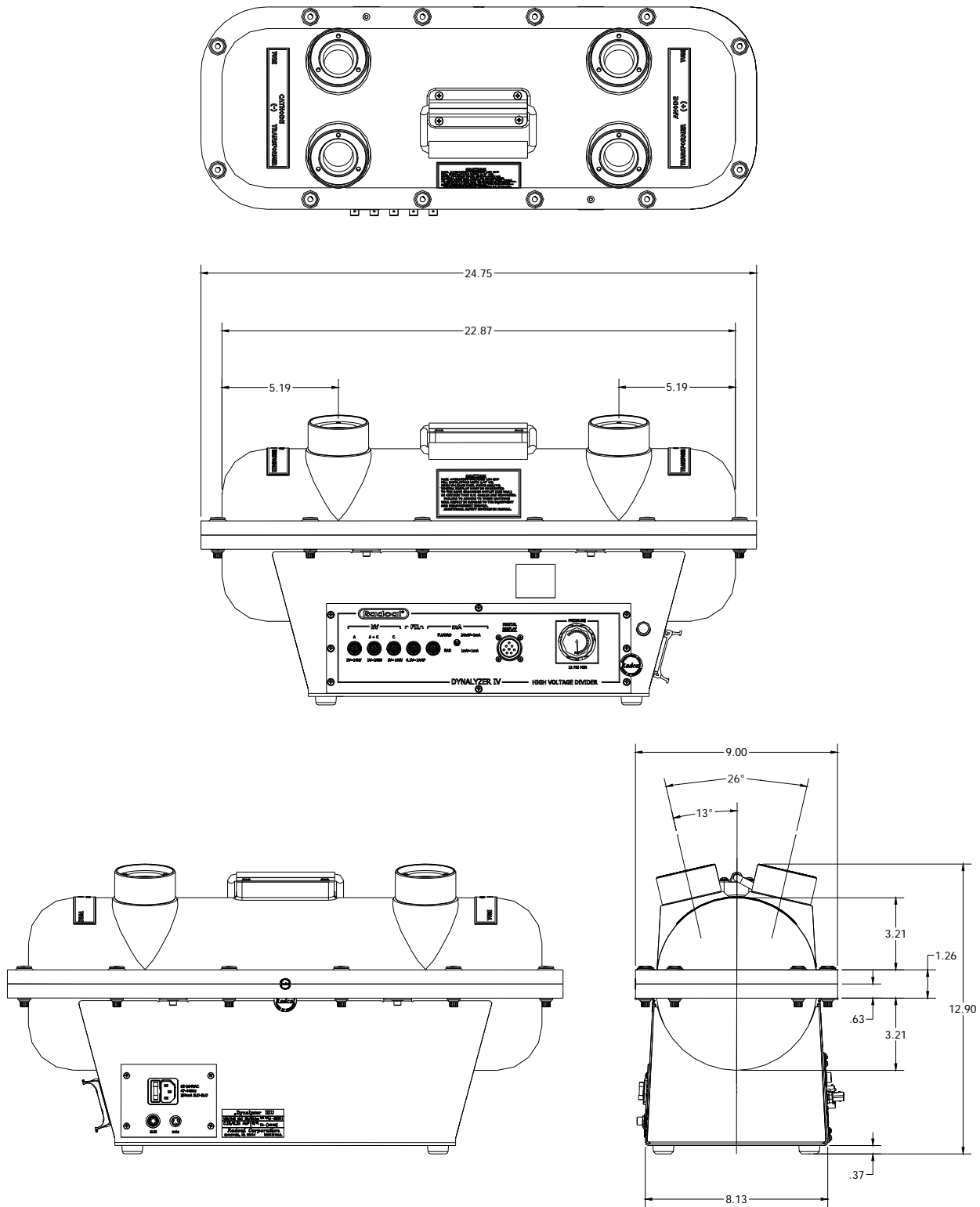
Waveforms and calculated kV values reflect a bandwidth of 4.5 kHz

Figure 1: Cabling Data



* ORDERED SEPERATELY

Figure 2: Outline Data (dimensions in inches)



Installation

Inspection

Inspect the unit after receipt for signs of physical damage. Report any damage to the carrier at once if any occurred in shipping.

Observe that tank pressure is within the 15-30 psi range. If the pressure is below 22 psi, the unit should be recharged. Refer to the Maintenance section.

Verification of the operation of the unit may be made with the aid of a digital voltmeter (DVM). Plug the line cord into the mains. Measure the output voltages from the BNC output connectors. All voltages should be less than millivolt with respect to ground. Operation may be verified by actual operation or by preliminary low-voltage calibration techniques.

The equipment setup depends on the tests to be performed and the auxiliary equipment used. Details are contained in subsequent paragraphs.

This section describes the proper techniques for the installation of the High Voltage Unit for calibrating or diagnostic investigation of an x-ray installation. The user is again cautioned about possible safety hazards due to the presence of high voltage x-ray radiation, and is requested to review the safety notice in the Preface.

Parts Necessary for Use

Two 12-foot long RG-58U cables with BNC connectors at each end for oscilloscope connections. (Supplied)

Besides the High Voltage Unit, the following parts are required:

- Two high-voltage cables, approximately 5 feet long with federal standard terminals at each end.
- Two federal standard dummy high-voltage receptacle plugs (Supplied)
- Two 1.5 oz. tubes of vapor-proofing compound for cables and plugs (Supplied)
- Small quantity of alcohol for cleaning high-voltage cable receptacles and terminals
- A piece of lead sheet 0.5 in. thick for blocking x-ray tube port, if no collimator is present
- A readout device such as a Dynalyzer digital display, DVM or Accu-Dyn+ system.

A differential input scope is not necessary as a composite A + C output is provided. Dual-trace or dual-beam capability is desirable to allow mA and kV to be viewed simultaneously.

Electrical Connections

The electrical interconnections are dependent on the test equipment used and the tests that will be performed. The High Voltage Unit can be used with a Accu-Dyn+ system, an oscilloscope, digital voltmeter or Digital Display.

Precautions

X-ray equipment is operated at lethal voltages. The operator must make certain that the main power switch is off when making or breaking connections in the high-tension circuit and that the cables are discharged before touching any high-tension lines.

Damage to the high voltage unit, the transformer, and the x-ray tube can occur if the cable plugs are not properly handled. Cable plugs are usually treated with silicone oil, transformer oil, or a vapor-proofing compound. This lubrication prevents corona or arcing from occurring in the receptacle. Oil is often used in vertically mounted receptacles while vapor-proofing compound is used in conditions where the oil could seep out, such as in the horizontal plans when cables are installed upside down. If the cables in an installation have some vapor-proofing compound on them, it would be in the best interest of system compatibility for the operator to insulate the cables from the Dynalyzer in a similar manner. If oil is used, and appears in to a depth of 1/8 in. in the receptacle, then additional oil is not necessary. Otherwise, add oil as necessary.

High Voltage Cable Connections

The Dynalyzer IV High Voltage Unit can be connected into the high voltage circuit in several ways. Each configuration implements the best method of measurement for the particular selected application. The following paragraphs outline these methods.

Series Connection (Figure 3)

This method is most often used since all x-ray exposure parameters attainable with the High Voltage Unit are measured e.g., Anode kVp, Cathode kVp, Anode + Cathode kVp, mA and filament current. The High Voltage Unit should be connected as close to the x-ray tube as possible (5-foot cables recommended) in order to properly observe the possible effects of cable charging during exposures of less than 100 mA. The High Voltage Unit may be located at the transformer when it is physically impossible to locate it close to the x-ray tube, bearing in mind the effects of cable charging.

Series Connection Anode Only (Figures 3 and 4)

The addition of a short high voltage cable necessary to complete the cathode circuit between the High Voltage Unit and the x-ray tube may have an adverse effect in certain situations, predominantly due to contact resistance. The added impedance of this cable and connections in the filament circuit may have a loading affect on the filament transformer. Therefore, when the Dynalyzer and short high-voltage cable is removed from the circuit, the filament current may increase resulting in an increase in mA which will in turn load the high tension transformer resulting in a lower kVp. The percent error will vary as a function of the loading characteristics of the filament transformer and high tension transformer as well as the total length of the high-voltage cables already in the circuit.

Because of this phenomenon, the following procedure is recommended:

1. Use the shortest high-voltage cable jumper as physically possible between the High Voltage Unit and the x-ray tube (recommended length 5 feet).
2. Insert both the anode and cathode sections of the High Voltage Unit in the x-ray circuit. (See Figure 3).
3. For each desired measurement, record the anode kVp required to obtain the anode to cathode kVp at the mA of interest.
4. Remove the cathode side of the High Voltage Unit from the circuit, leaving the anode side connected, and complete the circuit from the high tension transformer to the x-ray tube. (See Figure 4).
5. Readjust the kVp and mA to precise values using the anode kVp readings and mA readings. This eliminates the effect of the added cathode cable insertion.


The setup as shown in Figure 4 may also be employed in grid-pulsed applications to accurately determine anode kVp and x-ray tube current. This technique does not measure cathode kVp or filament current because the cathode side of the Dynalyzer is not connected.

Series Parallel Connection

This method can only be used with x-ray generators having auxiliary high-voltage receptacles capable of simultaneous activation.

This setup shown in Figure 7 enables the measurement of all parameters except filament current and eliminates the possible adverse effect of an additional test cable in the filament circuit.

NOTE: The Dynalyzer IV has been designed for remote reading to minimize x-ray danger to the operator.

 **CAUTION:** It is recommended that the High Voltage Unit and the Digital Display or oscilloscope (if used) be connected to the same grounded outlet or additional noise may be observed on the mA output.

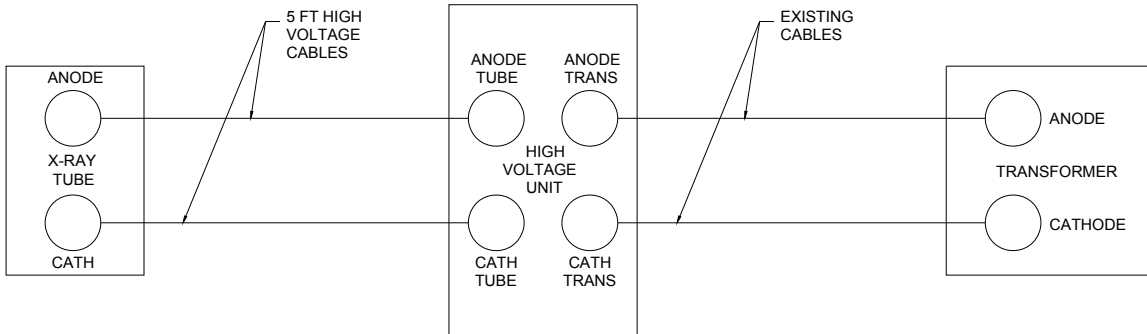


Figure 3: Series Connection

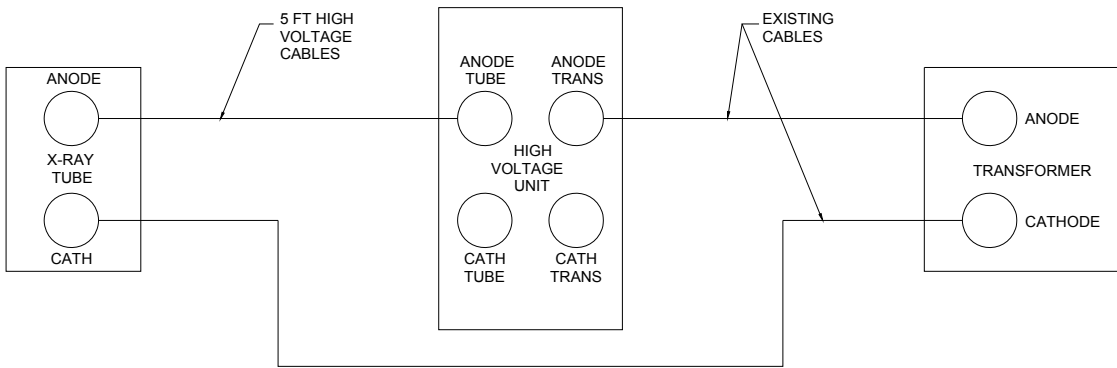


Figure 4: Series Connection Anode Only

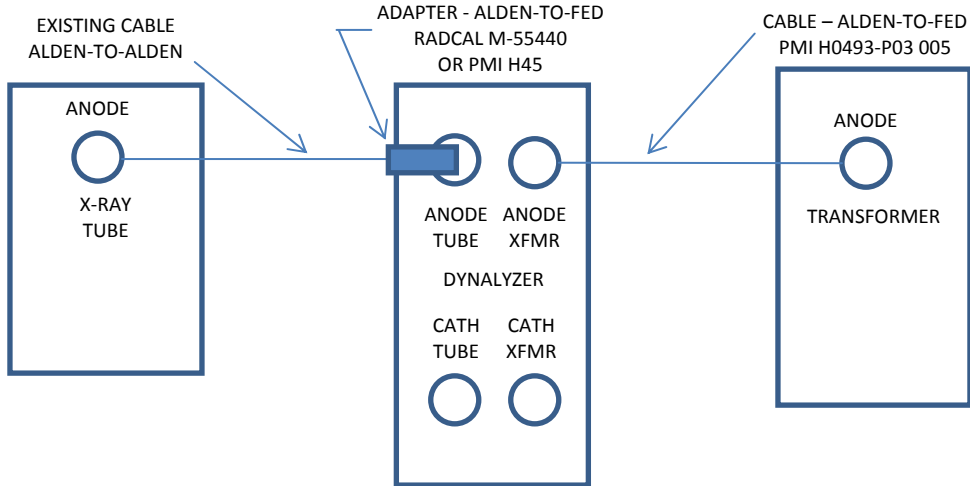


Figure 5: Mammography Machine General

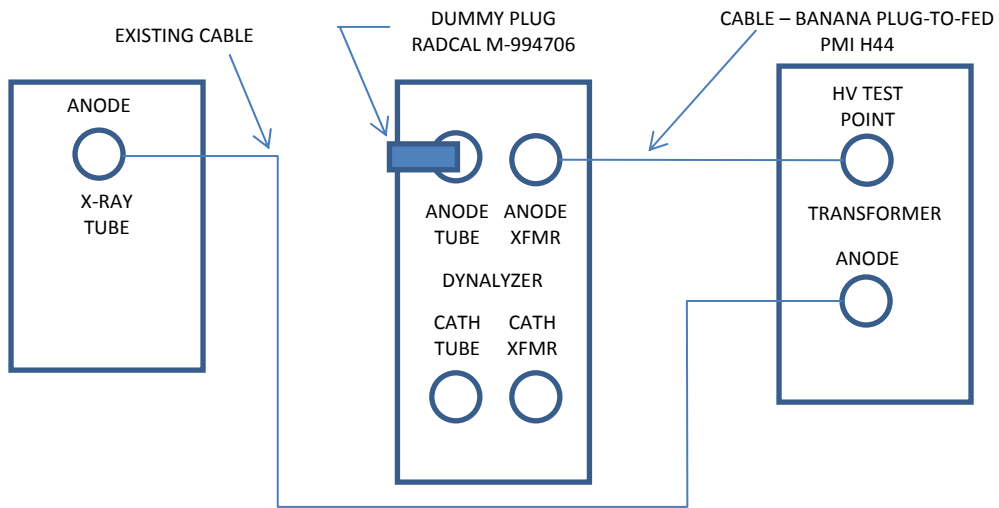


Figure 6: Mammography Machine Lorad/Hologic

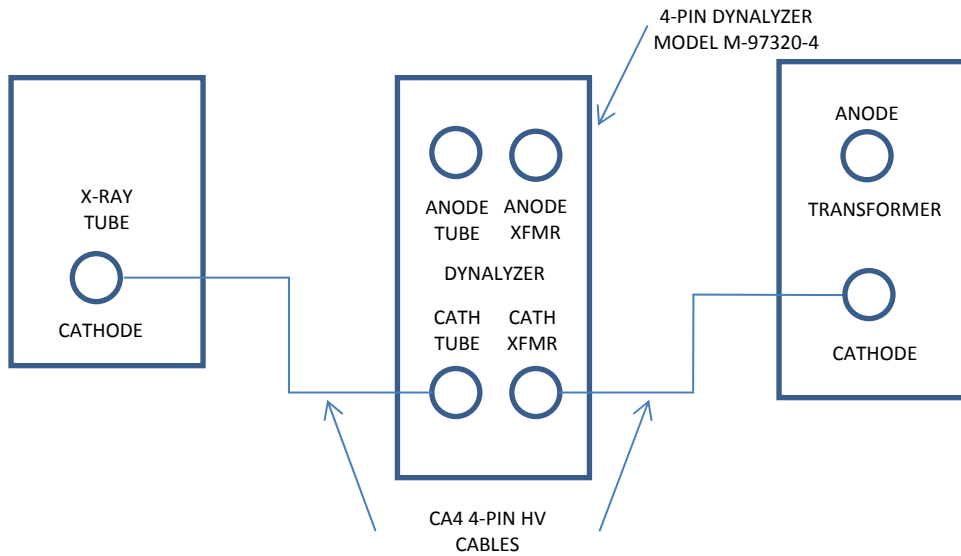
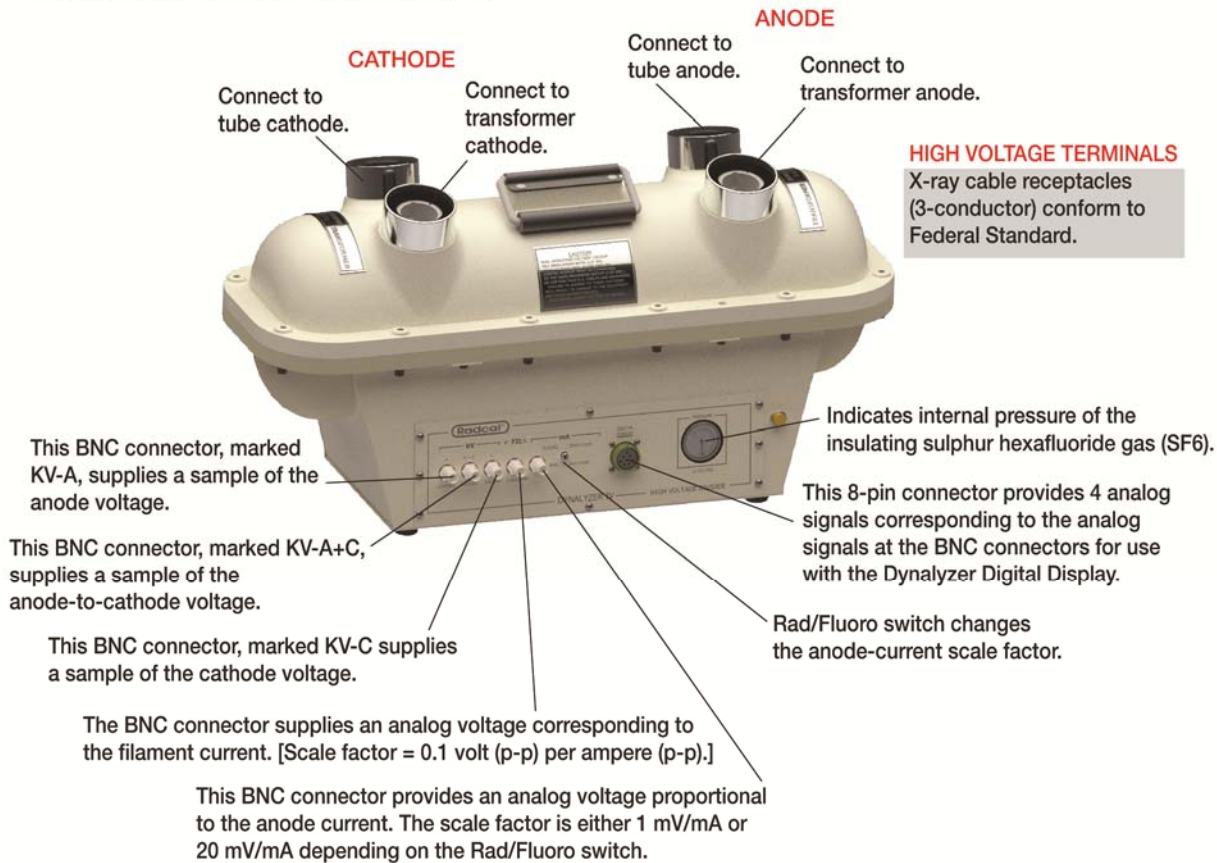


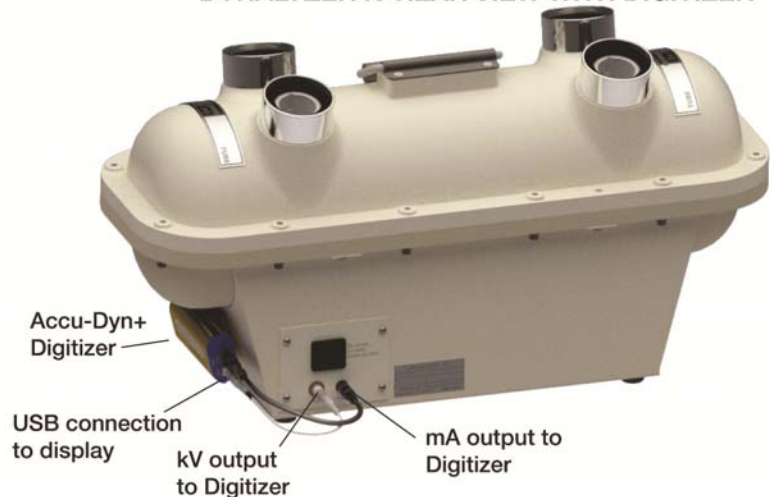
Figure 7: Mammography Machine GE DMR Only

Figure 8: Connections

DYNALYZER IV HIGH VOLTAGE UNIT



DYNALYZER IV REAR VIEW WITH DIGITIZER



Operation

This unit is designed to operate with four possible read-out devices:

1. A suitable oscilloscope
2. A digital voltmeter
3. Accu-Gold digitizer (AGDN+ or AGDM+) running Accu-Dyn+ software
4. The Dynalyzer Digital Display (obsolete)

Measurements can be made with the optional Accu-Dyn+ system, oscilloscope (requiring interpretation), RMS Voltmeter or Dynalyzer Digital Display.

⚠ CAUTION: As 5 foot long high voltage cables are normally used to connect the Dynalyzer High Voltage Unit to the x-ray tube (necessitating that the HVU be placed on the table) the possibility exists that the HVU may be inadvertently left in the primary beam. If this occurs, the SF₆ gas used to insulate the internal components in the tank section of the HVU may become sufficiently ionized to cause gross measurement errors, e.g., 20 to 30 kV. In order to guard against this possibility, the user must be careful to angle the tube away from the HVU or close the collimator shutters.

Readout Oscilloscope

- a. Measurement of kVp and exposure duration for both single-phase and three-phase machines may be read directly from the oscilloscope trace.
- b. Current measurements for radiographic exposures may be read from the oscilloscope trace.

Measurement procedure for kVp and Exposure Time Using Oscilloscope

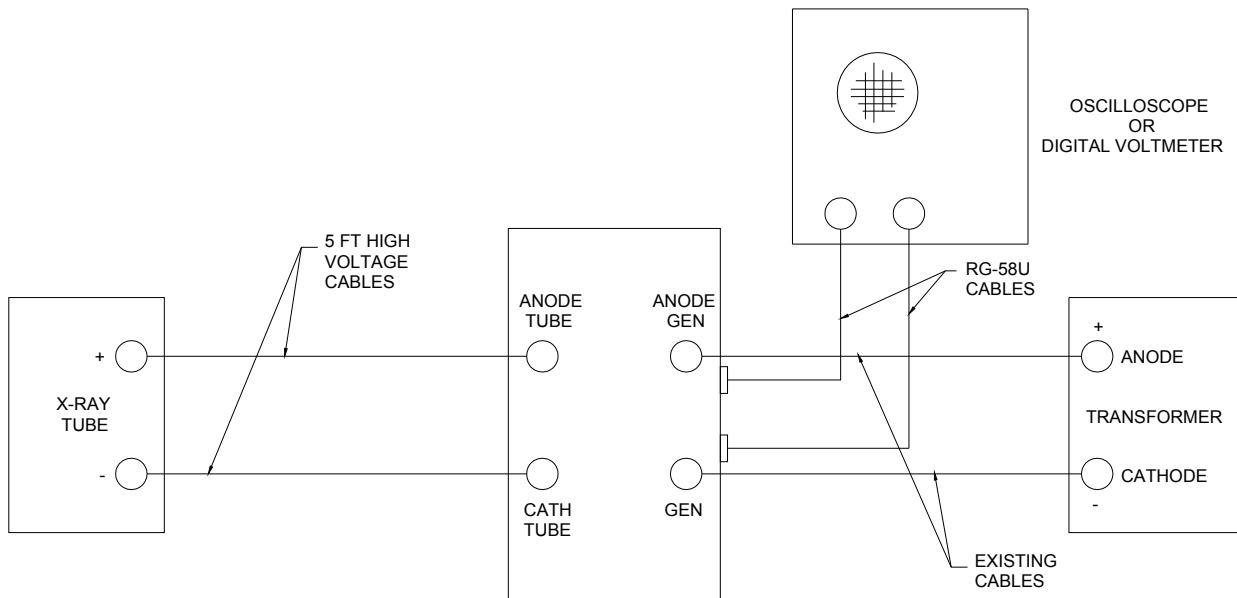
- a. Connect the oscilloscope to the High Voltage Unit as shown in Figure 7.
- b. Adjust the gain of the preamp of the oscilloscope for 2-volts per division.
- c. Adjust the horizontal time base for 10 milliseconds per division.
- d. Connect the scope to the Anode + Cathode output or to the separate outputs if switching between individual and summed outputs is desired. The exact switching will vary due to differences in x-ray high-voltage generator controllers. Refer to specific instructions for the model being calibrated.

Anode + Cathode Output

It is often necessary to view kVp and mA on the same dual trace oscilloscope. As this unit features a composite kV output with a separate BNC connector, the Anode + Cathode kV waveform may be viewed on a conventional scope. The scale factor is 0.5 V/10 kVp (20000:1 ratio). The reduced scale factor is needed to prevent saturation of the amplifier.

The individual outputs are provided to allow checking transformer balance, or for use where multi-channel plug-in scopes are available for viewing all available data, or where the operator wishes to switch between dual trace and the add/invert mode (allowing the summation to occur at the scope).

Figure 9: Series Connection with Oscilloscope or Digital Voltmeter



Measurement Procedures for mA and mAs using Oscilloscope

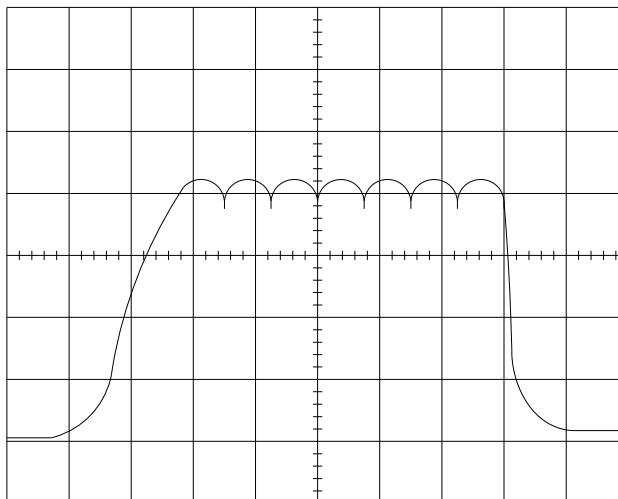
This unit provides a unique means for viewing and measuring the current waveform in an x-ray generator. Interpretation may require some analysis on the part of the user. In general it will be found that three-pulse (constant potential) current measurements can be easily obtained from the oscilloscope trace while single-phase measurements will require some calculation.

Three-Phase Current Measurements (using Oscilloscope)

Current measurements in three-phase equipment may be read directly from the oscilloscope trace. Figure 8 shows a typical three-phase current waveform. By visual inspection, the average value may be read from the oscilloscope trace. The scale factor is 1 millivolt per milliampere. Through practice, the average area of ripple above and below the estimated current value should be equal. The x-ray tube is an emission limited device. Normally, the peaks of the current waveform have a

lower slope than the voltage waveform and therefore the ripple in the current will be smaller than the ripple in the three-phase voltage.

Figure 10: Typical Three-Phase Current Waveform



Fluoroscopic Current Measurements (using Oscilloscope)

For these measurements, the front panel switch should be set to the FLUORO position. Three-phase fluoroscopic current measurements can be evaluated per the Three-Phase Current Measurements section above. Single-phase fluoroscopic measurements may fall into two categories: 1) filtered and 2) unfiltered. The scale factor is 20 millivolt per milliampere. At low current levels (below 5 mA) in systems with sufficient cable, or external capacitor banks, the voltage applied to the x-ray tube may appear to be purely direct current. The current waveform will depend on the location of the Dynalyzer High Voltage Unit with respect to the x-ray tube. Use the FLUORO position if there is significant low level noise filtering by the amplifier circuitry in the High Voltage Unit.

Measurements with Accu-Dyn+ system (see appendix A)

Measurements with Digital Display

The Dynalyzer Digital Display can be used in conjunction with the high voltage unit to provide the following five measurements simultaneously:

1. mA and mAs
2. Exposure time (triggered by kV, mA, external trigger or internal (line) trigger)
3. kVp of anode or cathode only or both
4. Auxiliary readout of filament current

An oscilloscope can be connected in conjunction with the Digital Display to obtain a visual image of the waveform measured. Refer to the Digital Display Instructions for additional information.

Current Measurements with Dynalyzer III Digital Display (mA and mAs)

The Dynalyzer Digital Display contains all necessary signal processing required for accurate measurements of either mA or mAs in all modes described above. In operation, the incoming analog signal is digitized, and the resulting pulses are stored. Thus, the pulse count gives a true indication of the mAs of an exposure. Simultaneously with the current integration, the exposure time is being counted by a digital clock. The average current is displayed by electronically dividing the mAs by time.

Triggering for this measurement may be made with current, voltage, external trigger, or manually (auto mode).

Exposure Duration (Time)

The third line of the display is the exposure time that is triggered by the kV, mA, auto (internal), or an external signal.

Dynalyzer Digital Display of kVp Measurements

The Dynalyzer Digital Display is interconnected to the High Voltage Unit with a 20-foot long shielded cable. The Digital Display is powered from the 120/240 VAC, 50/60 Hz line.

kVp measurements are made by selecting either the sum of Anode + Cathode or the individual terminals with respect to ground. The Digital Display is triggered by dialing in the fraction of the peak or preset (absolute) amount of kVp or mA that is considered the beginning of the exposure, i.e., 0-10% for single-phase and 75% for three-phase operation. A test exposure is made to set the gain factor of the display. Each subsequent exposure will trigger both the peak detector circuit and the electronic time clock. Both kVp and time in milliseconds will be displayed. (Current and filament will also be displayed.) A delay, adjustable up to 20 milliseconds, is provided to prevent measurement of the leading edge which may contain substantial overshoot of a three-phase exposure.

In both single and three-phase exposures, the kVp displayed will be the highest value within the exposure, with the exception of the kVp present during the delayed period.

Details on operation are supplied in the Digital Display Instruction Manual supplied with the Display Unit.

Filament Current Measurement with the Dynalyzer Digital Display

Pressing MANUAL TRIGGER after selecting AUTO at the TRIGGER SOURCE switch on the display causes the filament current to be displayed at an update rate of 0.5 second.

Measurements with Suitable RMS Voltmeter

An ac rms voltmeter, such as the Data Technology Model 31 may be used to obtain a readout of the filament current.

Rms conversion modules are available from Analog Devices, Burr-Brown, and Intronic, as well as other manufacturers. These modules require ± 15 VDC power to operate and a digital voltmeter to display their output.

Removing High Voltage Unit from X-ray Installation

⚠ CAUTION: Turn off the main power before removing the Dynalyzer. At the completion of testing remove the cables in the sequence provided to prevent any possible cross connection of anode and cathode cables.

1. Remove anode cable first. The jumper cable from the Dynalyzer to either the x-ray tube or high-voltage transformer, depending on test configuration, should be disconnected. Do not handle the insulator.
2. Touch the pins of the cable to ground to remove any residual charge remaining in the cable.

NOTE: Grid bias operation often causes large residual cable voltages if no bleeder resistance is present at the high tension transformer.

3. Clean off the oil or grease and place a protective cover over the cable ends.
4. Disconnect the system cable from the other anode connector of the Dynalyzer.
5. Reconnect the x-ray tube to the high-voltage transformer. Be sure sufficient oil or vapor-proofing compound remains in the receptacle or on the cable.
6. Repeat the procedure for the cathode cables.

Interpreting Oscilloscope Measurement Waveforms

Three-phase current waveforms are generally easier to interpret than single-phase waveforms, however, following the procedure outlined, measurements may be made for both waveforms. Fluoroscopic exposure current values may be read directly on the DVM. The scale factor is 20 mV/mA. Filament current may be viewed on the scope, or may be measured with a digital voltmeter connected to the High Voltage Unit readout terminal. The waveform of the filament current will to some extent influence the accuracy of the reading of the peak reading as ac rectifier circuit used in most DVMs. Fluoro gain should be selected. The limiting parameter for measurements will be the response time of the DVM. In general, exposures having a duration of at least 3 seconds should be adequate for most DVMs to integrate and display.

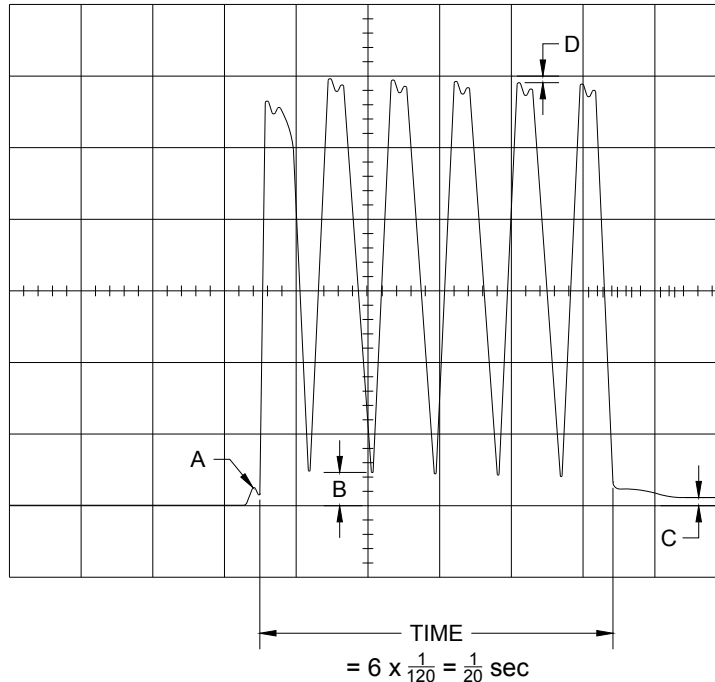
Single-Phase Current Waveform

Figure 9 illustrates the waveform of a typical single-phase generator for an exposure of 200 mA, 120 kVp, 1/20 sec. A properly timed single-phase generator will contain one or more complete pulses, each lasting 1/120 of a second on a 60 Hz power line, or 1/100 of a second on a 50 Hz system. Thus, a single-phase exposure time for normally operating equipment is $N \times 1/120$, where N is the number of pulses. For longer exposures, the time may be read from the start of the first major pulse to the end of the last pulse. The trailing off of the voltage, (region C of Figure 9), is due to cable capacitance. Cable capacitance is also responsible for the failure of the voltage to drop to zero at the end of each pulse.

In low-level fluoroscopic systems, or in systems with a capacitor bank, level B may be equal to the kVp. By convention, kVp is the greatest amplitude value observed, which may vary by amount D. Pulse A is due to the system of contacting which provides for the closing of the contactor during the end of the last pulse preceding the beginning of the exposure. This is done to minimize the overloading of the contactor and reduce the development of high-voltage transients. This pulse typically is 5-20% of the peak amplitude. A higher pulse indicates mis-adjustment of the contactor

timing. (Refer to the manufacturer’s specifications before readjusting.) This pulse should not be counted in the total exposure time, if sufficiently small. At low voltages, the x-radiation produced by this pulse will either be filtered out, or will not produce x-rays. The intent of the exposure time measurements is to measure the effective x-ray generating period.

Figure 11: Typical Single-Phase Waveform



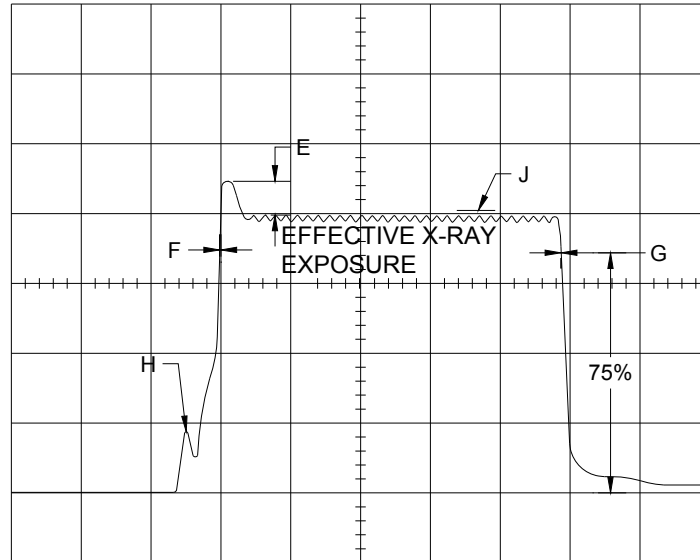
Three-Phase Current Waveforms

Figure 10 illustrates the waveform of a typical three-phase generator for an exposure of 700 mA, 80 kVp, 1/20 second. The kVp for this exposure would be the amplitude of area J. The overshoot area, E, is not significant in this particular exposure because the dominant radiation is of the lower kVp value. The peak value must not, however, exceed the rating of the tube of generator, as it does contribute to the voltage stress on the system.

Although there is some deviation from this value, the effective exposure time of a three-phase generator should be measured between the intersection of 75% or the kVp value with time. This allows the start-up pulse area H (and the capacitance trailing effects) to be ignored.

In three-phase exposures, in the order of 1/120-1/60 second, the overshoot, area E, contributes a significant portion of the total radiation. This may present a problem in calibration were the effective kV is assumed to be independent of exposure time. Overshoot should be eliminated, if possible, by adjustment of the contractor or SCR phasing circuit.

Figure 12: Typical Three-Phase Waveform



kVp Calibration for X-Ray Generator

This should be done for each mA station. In general, voltage decreases with increasing current. If the converse is found, the system is overcompensated. Refer to the manufacturer’s specifications to determine if the system is operation properly.

Equipment Fault Diagnosis by Voltage Waveform Analysis

The High Voltage Unit is a useful service aid. Among the faults possible in an x-ray controller, the following are listed as an aid:

Transient Detection

Transient irregularities in the waveform seen on the oscilloscope may be due to a variety of causes. These transient conditions may produce voltages which are considerably in excess of the kVp setting and may damage the x-ray tube, high-voltage cables, or high-voltage transformer.

Transient voltages in the high-voltage circuit may occur at a very high frequency so that the trace on the oscilloscope is very low in intensity or may not show at all with normal adjustments. Whenever a pulse or portion of a pulse is missing from the trace, some improvement may be obtained if the exposure is repeated with the intensity control set to a higher level. The trace obtained should be examined closely for excessive voltages.

Defective X-ray Tube

Gas in any x-ray produces a waveform which is very irregular at high kVp. “Kicking” (arc-over) of the x-ray tube is accompanied by rapid oscillations which may show up as a missing pulse.

Defective Valve Tube

If a valve tube in a full-wave rectified circuit is defective, pulses may be unequal in amplitude or missing entirely. If a valve tube is gassy, it may produce irregularities in wave form which are similar to those produced by a gassy x-ray tube.

Improper Closing of Primary Contactor

If the contacts of the x-ray primary contactor close at an improper phase angle, the first pulse may be considerably higher than succeeding pulses and irregular in shape. If the contactor opens too early or too late, an irregularity will occur at the end of the trace accompanied by arcing of the contacts in mechanical contacting systems.

Single-Phase Operation of Three-Phase X-ray Generators

A three-phase x-ray unit operating as a single-phase unit can readily be detected by observing that only two pulses are produced per cycle on the oscilloscope trace rather than six or twelve, and therefore the waveform looks identical to that of a single-phase generator.

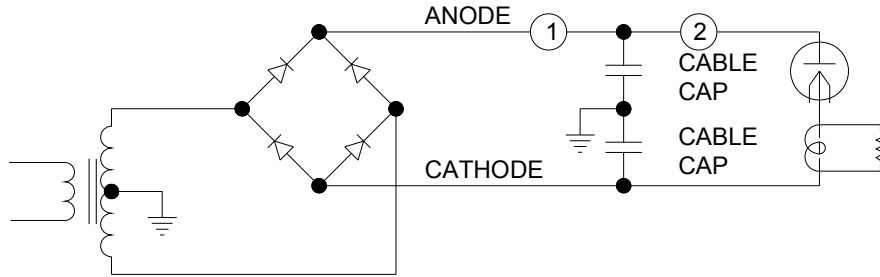
Evaluating Fluoroscopic Current Measurements

The FLUORO mode should be selected for this test. Circuit analysis would show that the system is an RC filter circuit (Figure 11). If the High Voltage Unit is located near the transformer, the current waveform will include the charging current of the cables. With a capacitance of 30 pf/ft., a 50-foot cable will present a load of 1500 pf. The RC time constant of the system is 30 milliseconds. From circuit analysis, the expected voltage ripple factor would be 10%. A peak current of 35 milliamps could be observed if measurements were performed at the transformer.

Thus, measurement of the current at the transformer will show peaks in the order of 35 milliamperes, while measurement at or near the x-ray tube will show a relatively constant current in the order of 5 milliamperes.

As fluoroscopic exposures may be of an extended period, a digital voltmeter may be used to measure the average voltage output of the High Voltage Unit. The DVM will read current at a scale factor of 20 millivolts per millampere.

Figure 13: Schematic Diagram of a Typical X-ray Generator Circuit



Single-Phase Radiographic Current Measurements using Oscilloscope

When the current level is sufficiently high, the effect of cable capacitance may be neglected. If the load is resistive, the current waveform would follow the voltage. For a full-wave rectified sine wave, the average current should be:

$$I_o = 2I_m / \pi = 0.636 \times I_m$$

However, close inspection will reveal that this is not the case. Because the current is emission limited, the current will increase with the lower kV values, but at some point, will saturate (see Figure 12). The formula above is thus no longer valid and graphical integration of similar areas will yield a better value. Figure 13 illustrates the sectioning of the current waveform into triangular and rectangular areas for integration. Division of the waveform into equal width segments is a second approach to graphical integration as shown in Figure 14. The easiest approach would be to take 10 values of the current, equally spaced in time in the period of one cycle, and add them together and divide by ten.

The peak current is different in each pulse, while the form factor or waveshape remains the same. If graphical integrations are used at maximum accuracy, the ratio of peak to average value of one pulse will be obtained, and this ratio used to determine the average value of each pulse. Then the average value of the entire exposure can be approximated.

Under certain conditions it may be possible to make extended radiographic exposures without exceeding the instantaneous loading and the target heat storage capacities. In general this procedure would be limited to exposures under 200 mA, and under 6 seconds. The rating sheet of the tube unit should be consulted.

A DVM may be used to measure the current. The user is cautioned that the current measured during long exposures may not accurately equal the current measured in shorter exposures, especially in falling load type generators, or in generators with mA stabilizers. Heating effects in the target and cathode assembly may affect the exposure as well.

Figure 14: Typical Single-Phase Waveform

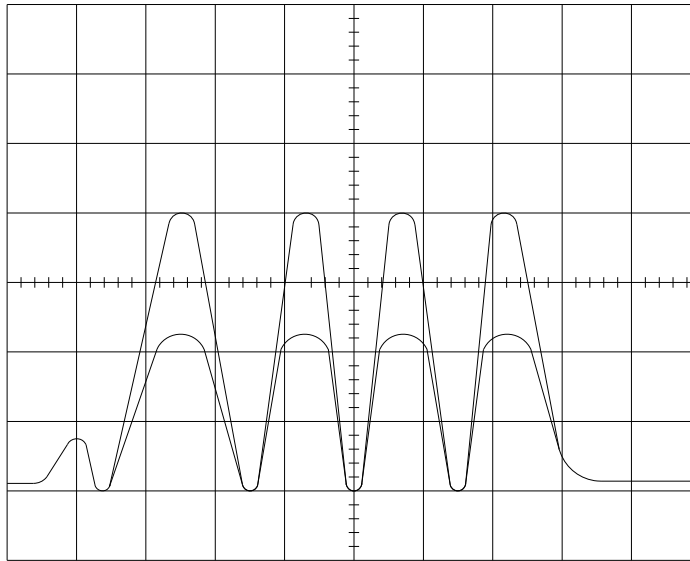
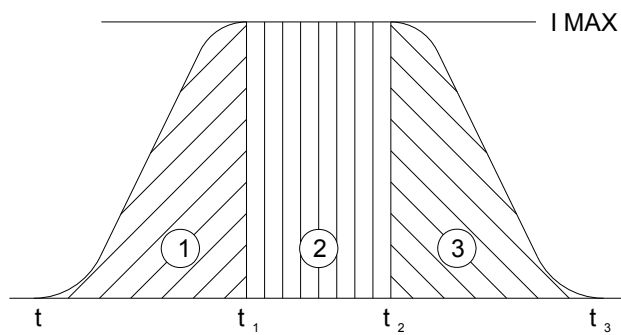


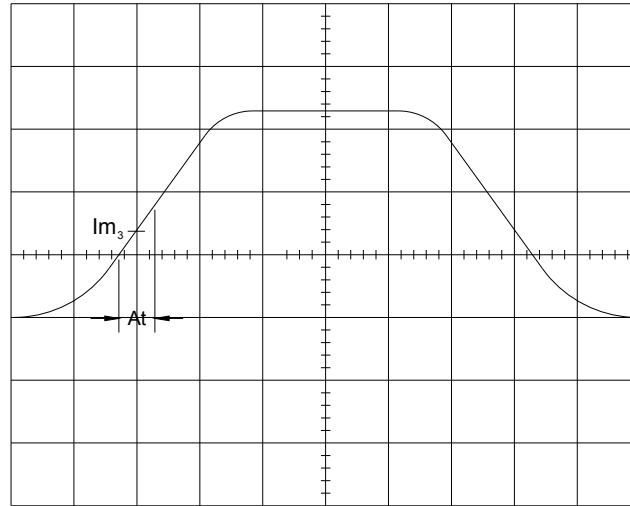
Figure 15: Current Waveform Analysis by Triangulation



$$I_{AV} = \frac{1}{t_3} (I_{MAX}) \left[\frac{1}{2} t_1 + t_2 - t_1 + \frac{1}{2} t_3 - t_2 \right]$$

$$= \frac{1}{t_3} I_{MAX} \left(\frac{1}{2} t_2 + \frac{1}{2} t_3 - \frac{1}{2} t_1 \right)$$

Figure 16: Current Waveform Analysis by Integration



$$I_{AV} = \frac{1}{T} \sum_{n=0}^{n=n \max} I_{m_n}$$

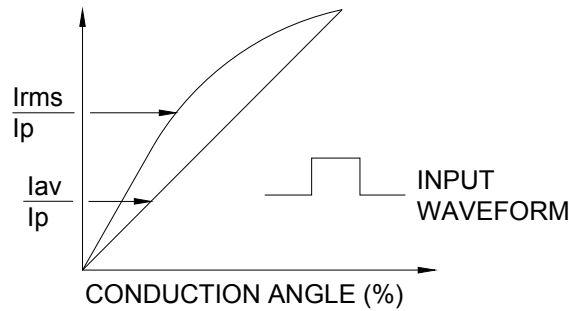
I_{m_n} = MEAN VALUE OF CURRENT IN nth DIVISION

Filament Current Measurements using Oscilloscope

Connection of an oscilloscope to the filament output terminals will allow viewing of the amplitude and waveform of the filament current. With an oscilloscope one may observe the sequencing of the filament boost circuit, the operation of the current stabilization circuit, if any, and the type of waveform present.

Many x-ray generators use saturable reactors, or other non-linear control means to control the current in the x-ray tube filament. This results in distortion of the input sine wave into a waveform approximating a square wave. If this occurs, the rms current would be equal to 1/2 the peak current, assuming a 100% conduction angle. If the wave form is sinusoidal, the rms current is 0.353 x the peak-to-peak current viewed on an oscilloscope. Figure 15 is a graph of the rms and average values of a square wave as a function of conduction angle. The scale factor of the current waveform is 0.1 volt per ampere.

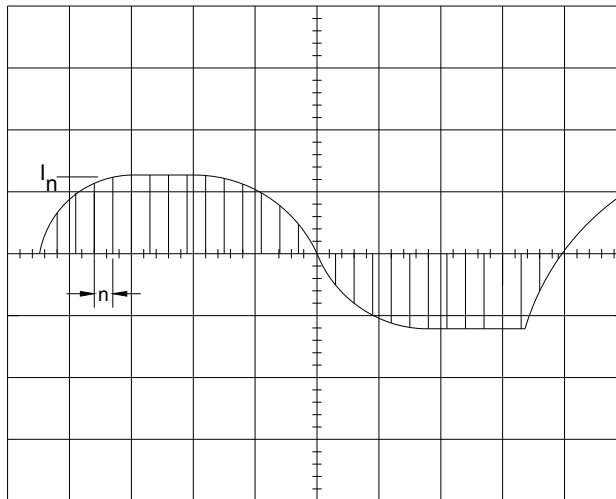
Figure 17: Current vs. Conduction Angle



Rms (root means squared) current measurement is essential. Rms current is the heating value of that current. In the relationship $I^2R=power$, the current is assumed to be the DC or rms value. Most DVMs or VOMs have their ac average value of a rectified sine wave. Measurement of other waveforms results in an erroneous, and often misleading answer. Other DVMs and VTVMs are calibrated on the basis of peak voltage of a rectified sine wave. The use of these meters with phase-controlled waveforms, often found in SCR circuitry will be totally misleading, as no change in voltage will be measured until the SCR is phased back to 90° or less.

If desired, a graphical integration technique, similar to that described for mA measurement may be used. In the case of rms measurement, divide one complete cycle (1/60 sec.) into 20 parts. Measure the amplitude at each point and square it. Take the sum of the squares and divide it by the number of points being counted (20 for example). Take the square root of this number. This is the rms current. The procedure is outlined in Figure 16.

Figure 18: Calculation of RMS Current from Square Root of Sum of Square of N Intervals

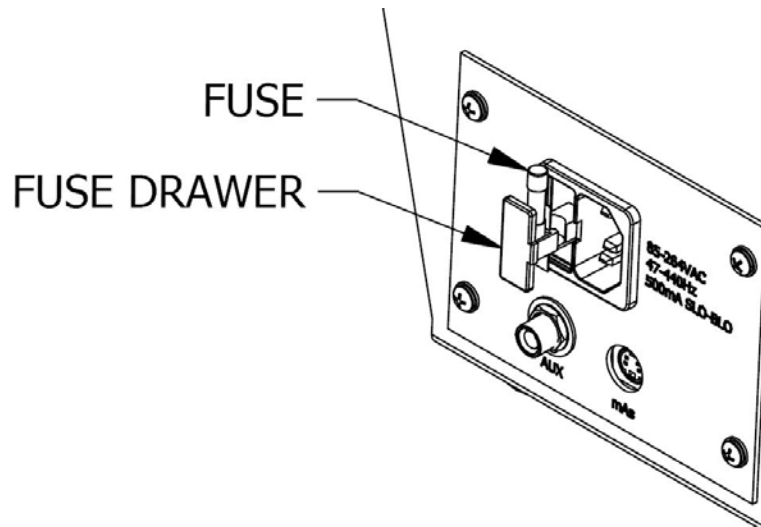


$$I_{RMS} = \sqrt{\frac{1}{N} \sum_{n=1}^N I_n^2}$$

Fuse Replacement

1. On the rear of the unit, next to the AC cord connector, pull out the fuse drawer. Replace the fuse if necessary with 5mm x 20mm 500mA slo-blo fuse, LITTELFUSE 0219.500 or equivalent.

Figure 19: Rear Panel Fuse Location



Maintenance

System Pressure

The High Voltage Unit is insulated with pressurized Sulfur Hexafluoride Gas (SF_6). Every effort has been made to ensure a leak-tight system. The unit is pressurized to 30 psig when shipped and contains a relief valve set just above 30 psi. The unit is filled at sea level. Transportation in unpressurized aircraft, or in cargo holds with reduced pressure, may result in an increase in the differential pressure as compared to sea level (14.7 psi).

Effects of altitude variation such that the sum of internal pressure plus atmospheric pressure is greater than 8 psi will result in satisfactory operation at voltages up to 150 kVp. If there is a loss in pressure due to this effect, the unit should be recharged to 30 psi. Any leak due to other causes should be identified. Recharging may be accomplished with the contents of a lecture bottle of Sulfur Hexafluoride, C.P. gas, available from Matheson Gas Products Company. The contents of one lecture bottle of SF_6 ($\frac{1}{2}$ pound) is adequate to completely fill the system. As long as there is positive pressure in the High Voltage Unit, purging of the unit will not be necessary.

Failure Modes

Protective circuitry in the High Voltage Unit has been incorporated to suppress high voltage transients that may be generated under fault conditions. The anode current transmitter, under extreme operating conditions, can sustain damage. This would be evidenced by either saturation of the mA output signal, or a negative offset of 100 mV.

Loss of internal pressure will result in a decrease in the insulation properties of the internal gas (SF_6) which could reflect itself as internal arcing between components, or to ground. This could result in the destruction of some semi-conductor elements.

Appendix A

Accu-Dyn+ Display System

The Accu-Dyn+ display system provides the means to display, analyze, and report values measured by the Dynalyzer that support calibration, compliance testing, and troubleshooting. Displayed values include: kV, kV Average, PPV, Time, anode current and mAs. In addition, waveforms of kV and anode current can be displayed and analyzed providing a deeper understanding of the operation of the system.

Notes: kV and derived quantities are anode+cathode voltage. Waveforms and calculated values reflect a bandwidth of 4 kHz.

Software Installation

Overview:

The Accu-Dyn+ digitizer interfaces to the computer using *Accu-Gold Excel*. *Accu-Gold Excel* is an Excel interface for Radcal's Accu-Gold measurement system. **Microsoft Excel** for Windows (XP and later) is required, and the interface appears as an Excel add-in. A shortcut is installed on your desktop that opens a folder containing Accu-Gold templates. (These templates are installed in the 'Program Files' folder under Radcal\AccuGoldExcel'.)

Installation:

NOTE: Install *Accu-Gold Excel* *before* connecting the Accu-Dyn+ digitizer to a USB port.

Plug the flash drive into an available USB port. (Because some USB keys are not polarized, your computer may not recognize the key; in that case rotate the key and plug it in again.)

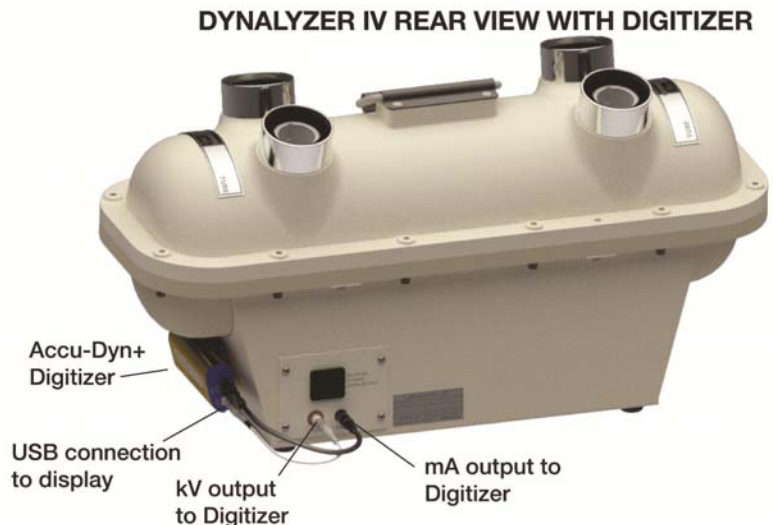
Double-click 'Setup.exe'. Follow the prompts to install Accu-Gold Excel.

To activate the interface for the Dynalyzer, open the Accu-Gold Excel folder on the desktop, and then open the **Accu-Dyn** template

Connect the Accu-Dyn+ to the computer; the computer will automatically install the device. The Accu-Dyn+ will then be ready for use. Connect the AUX and mAs cables to the rear of the Dynalyzer

Hardware Installation

The Accu-Dyn+ digitizer snaps onto the side of the Dynalyzer as shown. Hookup the two cables from the digitizer to the Dynalyzer. Plug in the USB cable mini-B end into the digitizer and the other end to the computer or tablet.

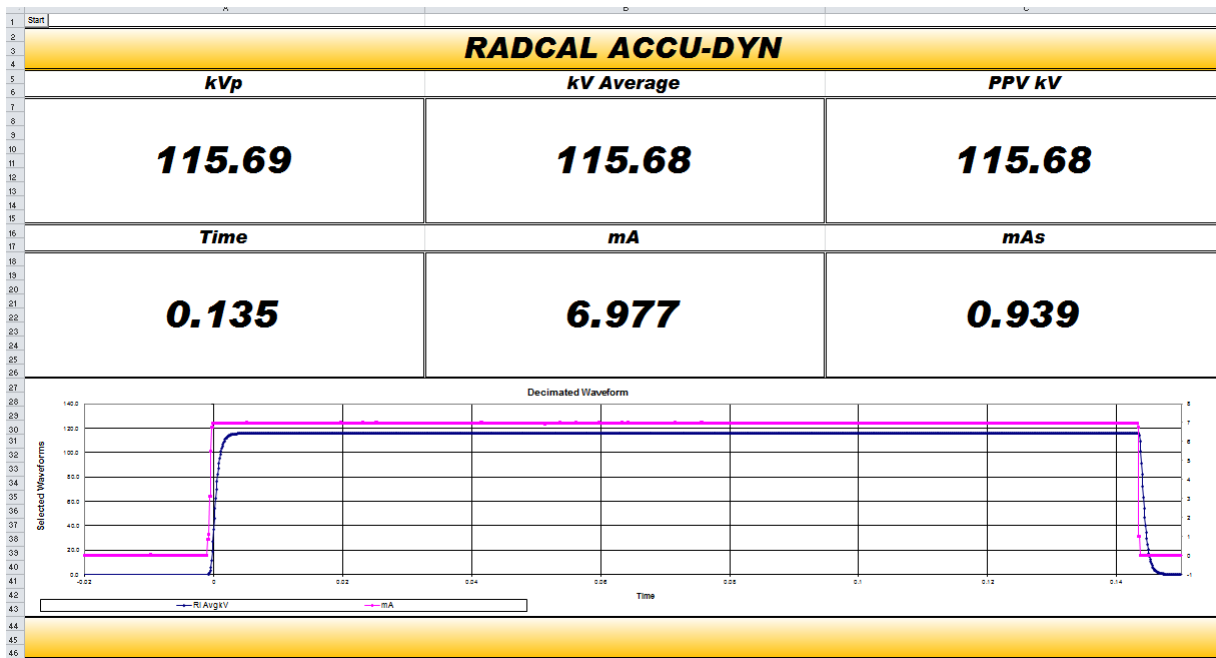


Making Measurements

Open the **Accu-Dyn** template. A notification window will appear showing the installed DLL and Driver version. The first entry cell will be selected automatically and the sheet will be ready for measurements.

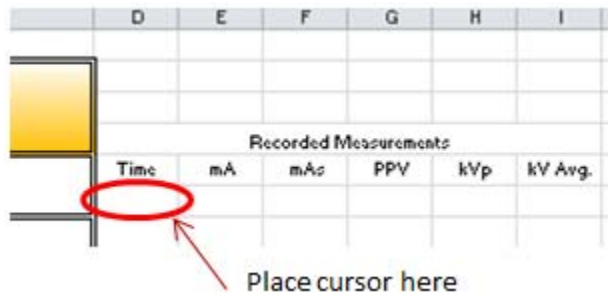
The Accu-Dyn+ excel template provides readouts of kVp, Average kV, Practical Peak Voltage (PPV), time, mA, and mAs. Each measurement is placed in a list under Recorded Measurements.

The waveforms displayed are RIAvgkV, and mA. The RI refers to the Region of Interest, which in this case will be the AvgkV between the threshold triggers.



Running the Program

Select a cell in the "Time" column. Press the Start button located in the upper left corner of the sheet to begin the measurement loop. Alternatively, Ctrl+Shift+R can also be used.



Wait until the selected cell turns green before making an exposure. Too early may yield errors. Once an exposure is made, data is collected and processed, values displayed and listed, the graph will display kV and mA waveforms, and the cell below is selected for the next exposure.

While the active cell is green, Esc is used to exit the measurement loop. Pressing it while the program is processing an exposure may yield errors or incomplete data.

The program can be restarted using either the button or key combination, picking up where it left off. This is useful in times where breaks between sets of exposures are required such as changing filtration. If a selected cell is already populated with data, the previous data will be overwritten. This is useful when an exposure was made erroneously or was unnecessary. Alternatively, entries can be manually deleted or moved.

Data

After the exposures are made, the sheet can be saved as is or the values can be copied to another sheet. Only the last waveform is saved with the worksheet. To save additional waveforms, use 'Save As..' between measurements.

Hotkeys

- **Ctrl+Shift+R:** (R)un - Starts the measurement process
- **Esc:** Stops the measurement routine
- **Ctrl+Shift+C:** (C)lear - Clears the digitizer's USB connection, and causes recognition of sensor or parameter changes.
- **Ctrl+Shift+U:** (U)pdate - Checks for software updates.

Troubleshooting

Common Error Messages:

Cannot find AccuGoldExcelMacro.xls:

The macros did not load. Ensure that the security settings are set to 'Enable Macros'.

Driver failed to open

Windows did not load the driver, probably because the digitizer is not connected. Check connections, cable, and USB port.

A relevant zero value is out of range

- The zero value that is measured is outside of its specified limits. Check zero offset of Dynalyzer mA and A+C BNC out.
- Generator noise from making or starting an exposure while the measurement loop is initializing could give this error, wait a few moments for the generator outputs to stabilize before restarting measurement.

The mAs probe was not connected or The connected mAs probe failed to respond

- Verify connections between the mAs port and digitizer.

Exposures not triggering

- Verify connections between the digitizer and Dynalyzer.
- Check Dynalyzer BNC output with oscilloscope.

No mA readings

- Verify connections between the digitizer and Dynalyzer.

Selected cell was not allowed

- A cell in any row within the measurement list area under Column D needs to be selected.

Insufficient kV signal

The width of the waveform is too small. Increase the width of the exposure pulse. Triggering from a brief noise transient can also cause this error.

Definitions

kVp:

The FT algorithm computes kVp using the Fourier Transform of a selected region of the kV waveform. For these selected samples, the major ac components are combined with the biased-average kV to estimate the effects of ripple, leading to a measurement of the “average” peak voltage. This averaging process suppresses the effects of noise, which can result in serious errors for routines that use only small data samples.

Average kV:

The average value of kV in the region of interest above an adaptive kV threshold.

PPV:

The Practical Peak Value (PPV) mode computes a weighted average of the kV waveform in the region of interest, with weighting toward higher-kV values, employing the algorithm of Kramer, Selbach and Iles.

Time:

The width of the region of interest.

mA:

Average mA is mAs divided by the width of the region of interest.

mAs:

mAs is the sum of mA values during the region of interest.

Region of Interest:

After the exposure, Accu-Gold Excel analyzes a selected portion of the exposure. The region of interest is the area of the pulse determined by the threshold settings. After the pulse is detected, the software post-processes the data and displays the results based on this region of interest.

Addendum

Relevant Zero: When measuring the output on high-voltage machines it can take several minutes for the generator to settle. If the measure sequence is initialized without waiting, the system will produce errors as it is attempting to re-zero.

Accu-Dyn+ Template: This template accommodates uninterrupted measuring without a wait period by establishing a zero on the initial start. This value will be used for all other measurements.

Usage: When clicking “Start” or Ctrl + Shift + R to initialize the measure sequence for the first time the first output cell will automatically turn green then immediately stop. Once it has stopped, “Zero” has been established. You can now start the measure sequence again and collect data.

Digital Display and Accu-Dyn+ Comparison: Differences between the Accu-Dyn+ and Digital Display may be observed when used in parallel. The Digital Display measures kVp by finding the maximum voltage (including noise) whereas the Accu-Dyn+ kVp ignores noise spikes riding the kV waveform. The Digital Display measures mAs and then calculates the mA whereas the Accu-Dyn+ measures the mA waveform. For making low mA measurement (<100 mA) it is recommended that the Accu-Dyn+ template be reset prior to exposure.

Appendix B - Warranties and Disclosures

Warranty for the Model M-97311 Dynalyzer High-Voltage Unit

Radcal warrants that, in the event that any defects in material or workmanship should develop within one year of the date of shipment, the company assumes full responsibility for servicing equipment of its manufacture without charge upon return of the equipment to Radcal, with shipping costs prepaid by the customer. Costs to return-ship by ground to customers will be paid by Radcal if the repairs are warranty-applicable.

Radcal shall not be held liable for damages or delays caused by defects beyond making repairs or furnishing replacement parts, nor shall Radcal be liable for any defective material replaced without Radcal's consent during the period of this warranty. Radcal reserves the right to perform warranty services at its own factory.

Non-Warranty Repairs

The calibration of this instrument was correct within specified limits when the instrument left our factory. Radcal cannot be responsible for injury or damage resulting from improper use or calibration errors which develop subsequent to our shipment of the instrument.

If Radcal determines that a fault has been caused by misuse, abnormal operating conditions, or repairs by unauthorized personnel during the warranty period, repairs and shipping costs will be billed at normal rates.

If the equipment is found to be in proper working condition, Radcal will return-ship the equipment at customer expense.

WEEE and RoHS

Accu-Gold meets the requirements of the 2002/06/EC (WEEE) Directive. Radcal has implemented full compliance. Recycling manuals are available on request. The Dynalyzer IV and Accu-Dyn+ meet the requirements of the 2011/65/EU (RoHS) Directive.