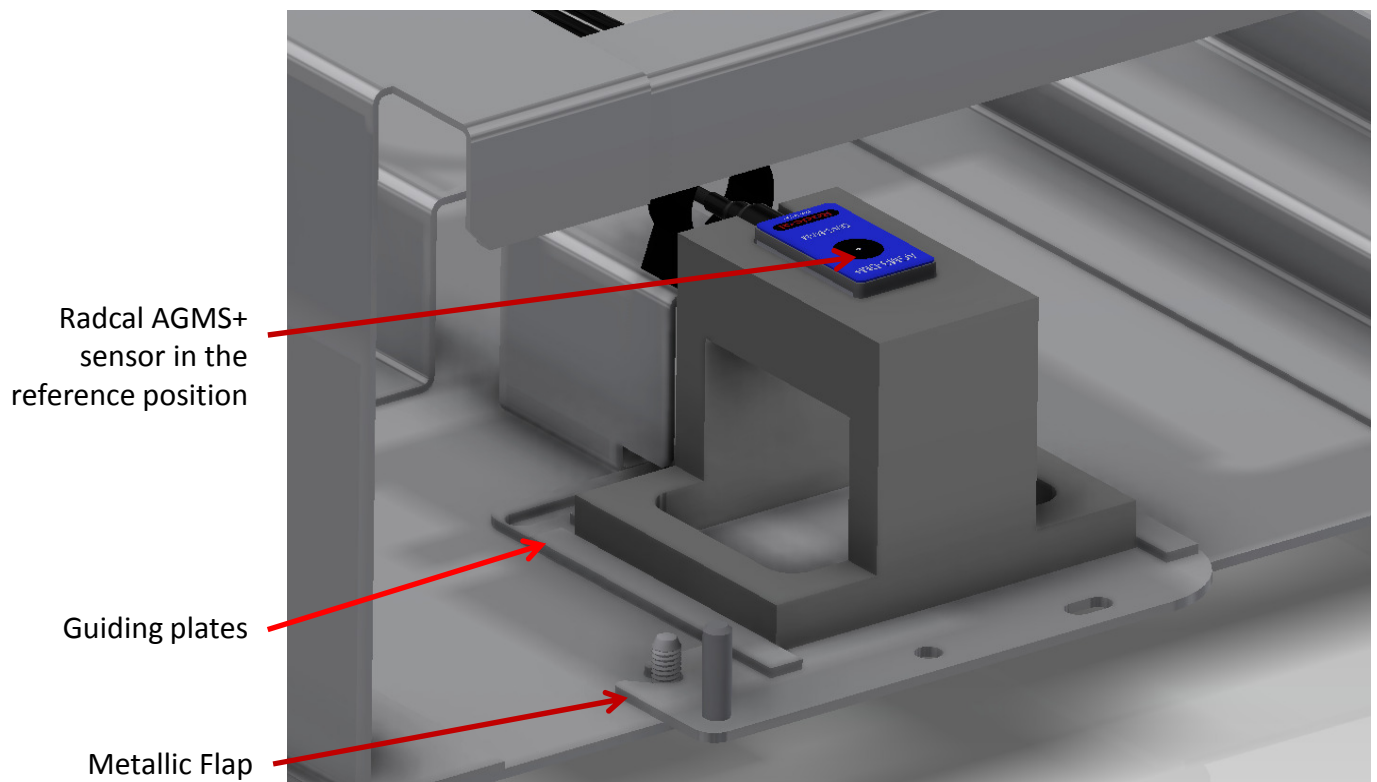


## AN1001 - Using Model HLDR-AG+DF



The model HLDR-AG+DF sensor positioner is intended to assist in placing the sensor in the GE Dosimeter Support Fixture in the intended reference position.



- Only Radcal AGMS+ sensors fit the positioner. Other Radcal solid state devices are not suitable.
- With the GE Dosimeter Support properly placed on the x-ray machine, position and secure the Metallic Flap (GE P/N 5718815DDW)
- Place the Radcal Positioner in between the 'U' shaped guiding plates of the metallic flap with the longest dimension of sensor facing fore and aft.
- The positioner keeps the centerline of the sensor in the same place regardless of the orientation, but the preference would be to minimize the length of cable in the x-ray beam by using it as shown.