

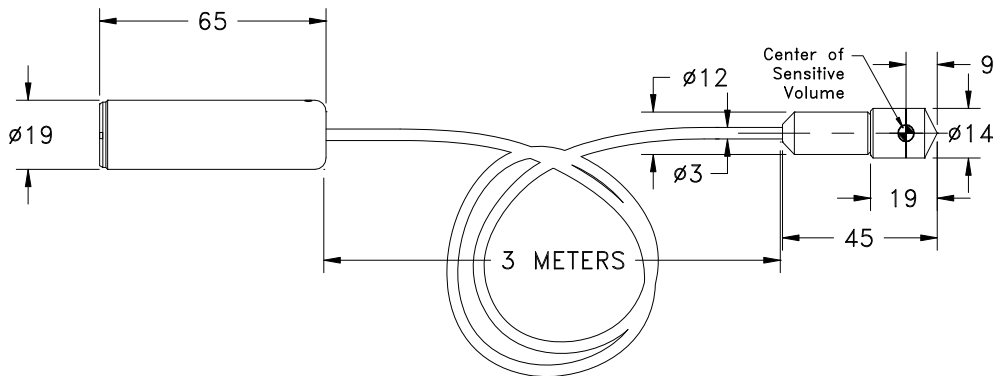


**10X6-0.18  
HIGH DOSE-RATE CHAMBER**

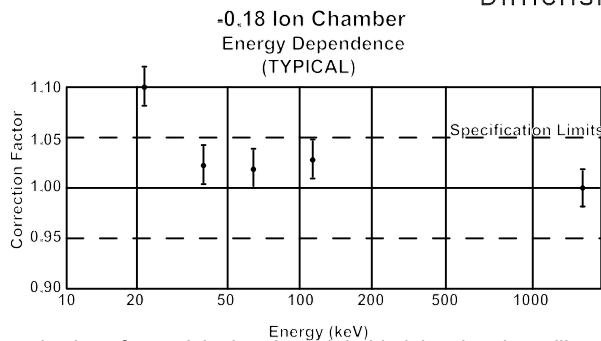
The 10X6-0.18 ion chamber is intended for in-beam measurements of high-intensity gamma radiation. It is suitable for cavity gamma irradiators as well as beam type irradiators. The fully guarded chamber is mounted at the end of a 3 meter, low-noise triax cable.

**Specifications<sup>1</sup>**

Rate Specifications:	50 $\mu$ R/s - 720 R/s 500 nGy/s - 6.31 Gy/s
Exposure Specifications:	200 $\mu$ R - 2 MR 2 $\mu$ Gy - 17 kGy
Calibration Accuracy:	$\pm$ 4% using <sup>60</sup> Co
Exposure Rate Dependence	$\pm$ 2%, 3 mR/s to 720 R/s
Energy Dependence:	$\pm$ 5%, 45 keV to 1.33 MeV
Active Length:	8.1 mm $\pm$ 1 mm
Construction:	C552 air-equivalent walls & electrode; polyacetal exterior cap; 0.18 cm <sup>3</sup> active volume; 3 m, low-noise triax cable; 0.1 kg
Environmental:	15° - 35° C working, 0° - 60° C storage, < 80% RH (non-condensing), 70-106 kPa
Minimum Field Size <sup>2</sup> :	14mm x 19mm



Dimensions in millimeters



Warning: Introduction of material other than air behind the chamber will cause its response to change due to backscatter.

<sup>1</sup>Specifications apply when used with Accu-series control units.

<sup>2</sup> A field size greater than the Minimum Field Size by at least 10 mm recommended.